

Figure 3: Proof of Lemma 1

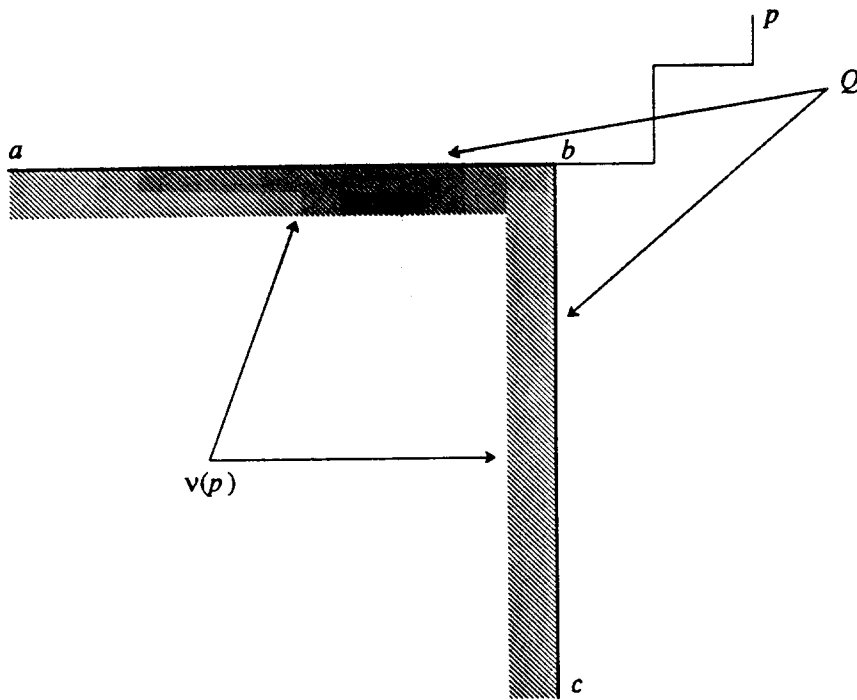


Figure 4: Proof of Lemma 1