

# Performance Test of Coordinated Control of SMES and BESS in Microgrid using the Hardware-in-the-Loop Simulation System

Hyeon-Kyun Ji, Hyeong-Jun Yoo, and Hak-Man Kim\*

*Incheon National University*  
*hmkim@inu.ac.kr*

## **Abstract**

*Roles of energy storage systems (ESSs) in microgrid control are very important because a microgrid has uncontrollable energy sources such as the wind turbine and power trade with the utility grid. Especially, the ESSs have different characteristics – power density and energy density. The characteristics show a trade-off. For this reason, the coordinated control among ESSs considering their characteristics is required. In this paper, a coordinated control of SMES and BESS is tested with high reliability using the hardware-in-the-loop simulation (HILS) system in two grid-connected and islanded modes.*

**Keywords:** *Microgrid, Energy storage system, Superconducting magnetic storage (SMES), Battery storage system (BESS), Wind generator, Hardware-in-the-loop simulation system, coordinated control*

## **1. Introduction**

Recently, many research on microgrids control have been performed [1-2]. The microgrid is operated by grid-connected mode connected to the utility grid and by islanded mode without the connection [4-6]. In the grid-connected mode, tie-line power flow should be controlled and output power of wind turbine should be smoothed. In the islanded mode, frequency should be controlled within allowed range. For the control, many energy storage systems (ESSs), such as energy storage system (ESS) such as battery energy storage system (BESS), superconducting magnetic energy storage (SMES), and electric double layer capacitor (EDLC), have been applying [7-12].

ESSs have different characteristics – power density and energy density [13-14]. It means the roles of ESSs in control should be considered by their characteristics. That is, BESS is effective to relatively slow and long-term applications because it has good energy density and SMES is effective to applications requiring fast control because of its good power density. For this reason, the coordinated control considering their characteristics is required [15-16].

On the other hand, there are some limitations on space and costs to test developed devices or systems to check their performance with high reliability. Recently, the hardware-in-the-loop simulation (HILS) system is applied to overcome the problems with a real-time digital simulator (RTDS) in many engineering areas [17-18]. In the HILS system, the developed systems or devices are tested connected the RTDS where plants are modeled with communication links like a real environment.

In this paper, the SMES which has high power density is in charge of smoothing output power of the wind turbine because it can control fast according to the fluctuation and the BESS with high energy density is in charge of controlling power flow between utility grid

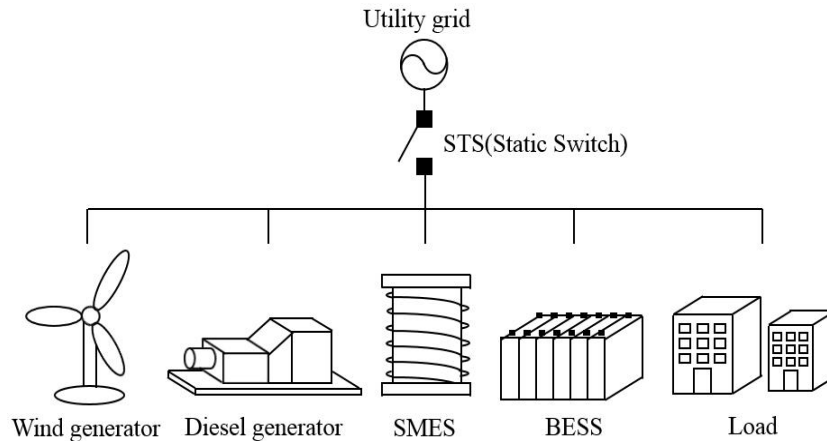
---

\* Corresponding Author

and the microgrid in the grid-connected mode and controlling frequency in the islanded mode. To test the performance of the controllers with high reliability at the laboratory, a HILS system is developed and applied. The HILS system is composed of three digital signal processor boards (DSP B/Ds) for a controller of the BESS and two controllers of the SMES and eMEGAsim as a RTDS for modelling a test microgrid and the rest parts of BESS and SMES.

## 2. Modeling of Tested Microgrid

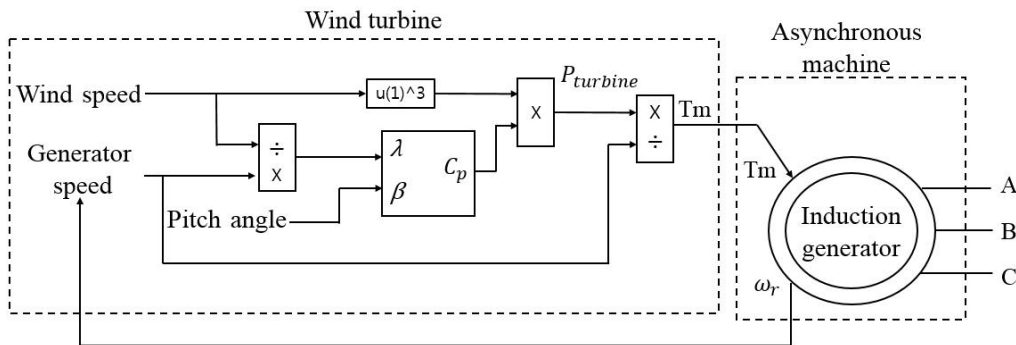
As shown in Figure 1, a microgrid shown composed of a wind generator, a diesel generator, a SMES, a BESS and a lumped load is modeled to test the performance of coordinated control of SMES and BESS in the microgrid.



**Figure 1. Test Microgrid**

### 2.1. Wind Generator

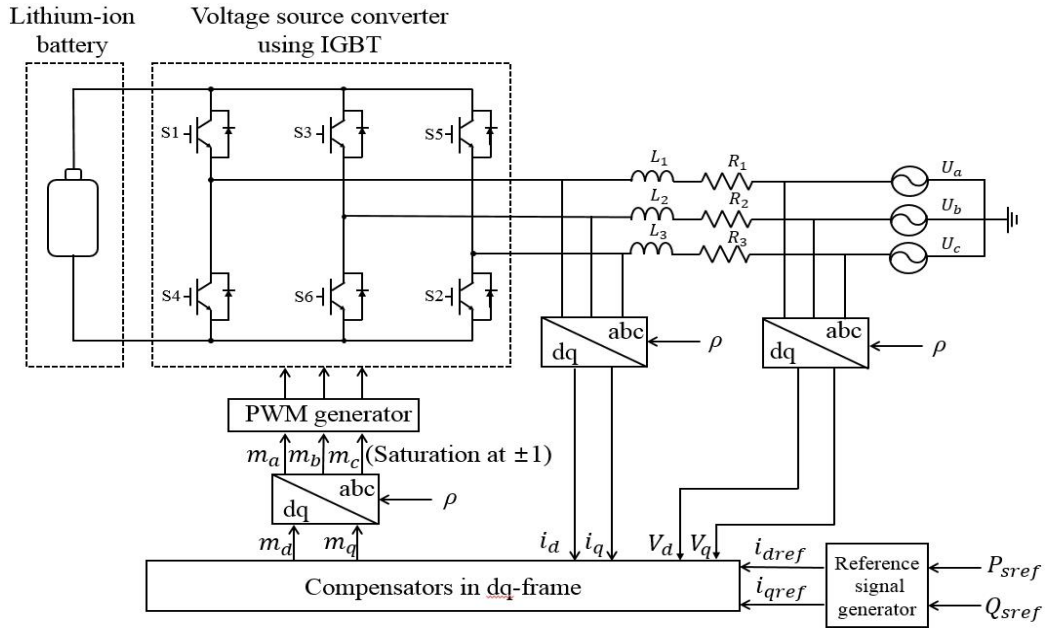
The wind generator is modeled as an induction generator (IG) type which has a squirrel-cage induction generator as shown in Figure 2.



**Figure 2. Configuration of Wind Turbine Generator**

### 2.2. Battery Energy Storage System (BESS)

The tested BESS composed of the voltage source converter (VSC) part and the lithium-ion battery part is shown in Figure 3.



**Figure 3. Configuration of BESS**

A circuit equation of the VSC shown in Figure 3 can be expressed as equation (1).

$$U = Ri + L \frac{di}{dt} + v \tag{1}$$

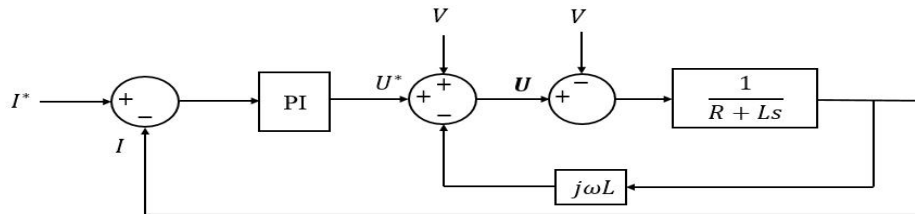
In order to express independent control of active power and reactive power by pulse width modulation (PWM), equation (1) can be divided into two real and imaginary parts as Eq. (2):

$$\begin{aligned} L \frac{di_d}{dt} &= \left( L \frac{d\rho}{dt} \right) i_q - Ri_d + V_{td} - U_d \\ L \frac{di_q}{dt} &= - \left( L \frac{d\rho}{dt} \right) i_d - Ri_q + V_{tq} - U_q \end{aligned} \tag{2}$$

In addition, equation (3) can be obtained from equation (1).

$$I = \frac{1}{R+Ls} (U - V) \tag{3}$$

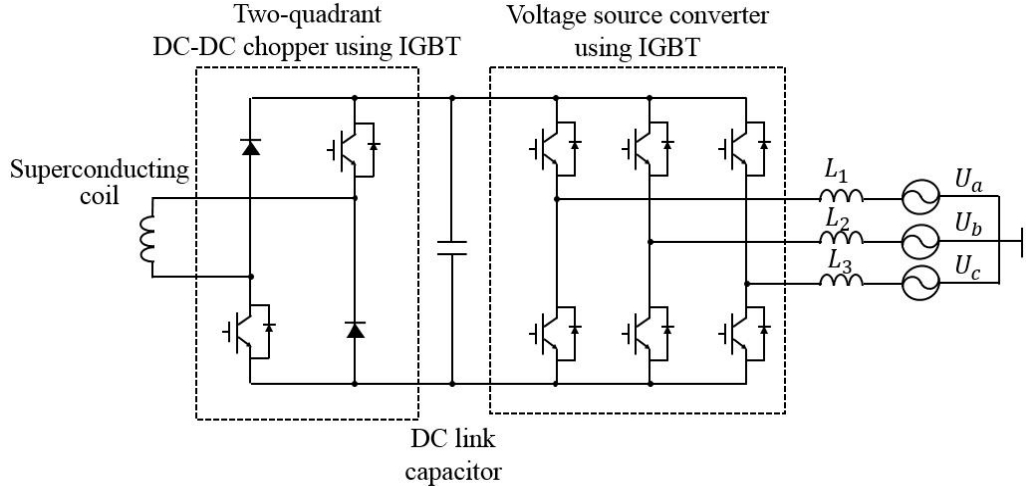
The control block diagram of current controller shown in Figure 4 can be drawn from equation (3).



**Figure 4. Block Diagram of Current Controller**

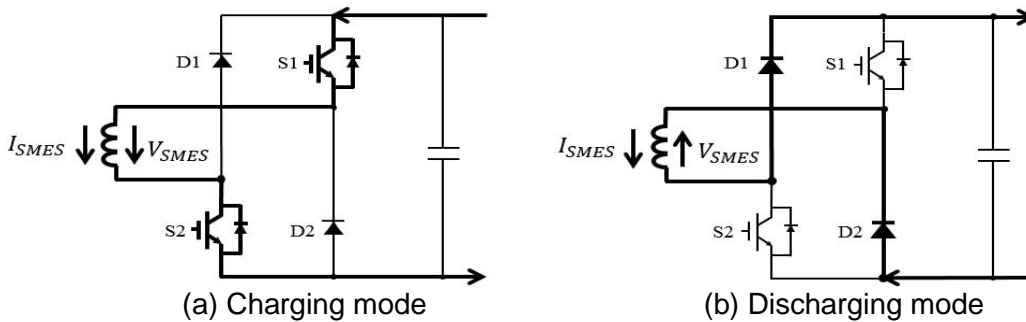
### 2.3. Superconducting Magnetic Energy Storage (SMES) System

The tested SMES which is composed of a VSC using IGBT, a two-quadrant DC-DC chopper using IGBT, and a superconducting coil is shown in Figure 5. The VSC and the two-quadrant DC-DC chopper are connected by the dc link capacitor shown in Figure 5.



**Figure 5. Configuration of VSC-based SMES System**

The charging mode and the discharging mode are determined by the two-quadrant DC-DC chopper as shown in Figure 6. S2 is ON and S1 can switch ON or OFF during the charging mode. On the other hand, S2 is always OFF and S1 can switch ON or OFF in the discharging mode.



**Figure 6. Two Control Modes of SMES**

## 3. Coordinated Control of SMES and BESS

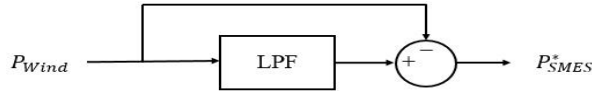
In this paper, the coordinated control of BESS and SMES is designed as follows.

### 3.1. SMES Control

Fluctuation of output power of the wind turbine makes a disturbance for controlling power flow between utility grid and the microgrid in the grid-connected mode and for controlling frequency in the islanded mode. In this paper, the SMES is in charge of smoothing output power of the wind turbine because it can control fast according to the fluctuation with high

power density. For the smoothing of output power of the wind turbine uses a low-pass filter (LPF) which is expressed by equation (4). Figure 7 shows the block diagram of the LPF.

$$H(s) = \frac{\omega_c}{s + \omega_c} = \frac{1}{1 + s/\omega_c} \quad (4)$$



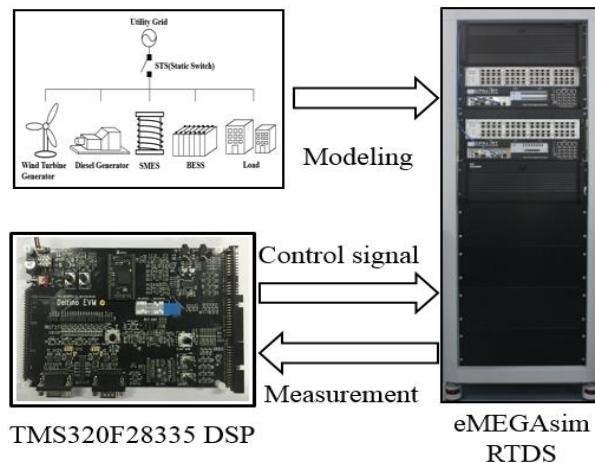
**Figure 7. Smoothing Control Block Diagram**

### 3.2. BESS Control

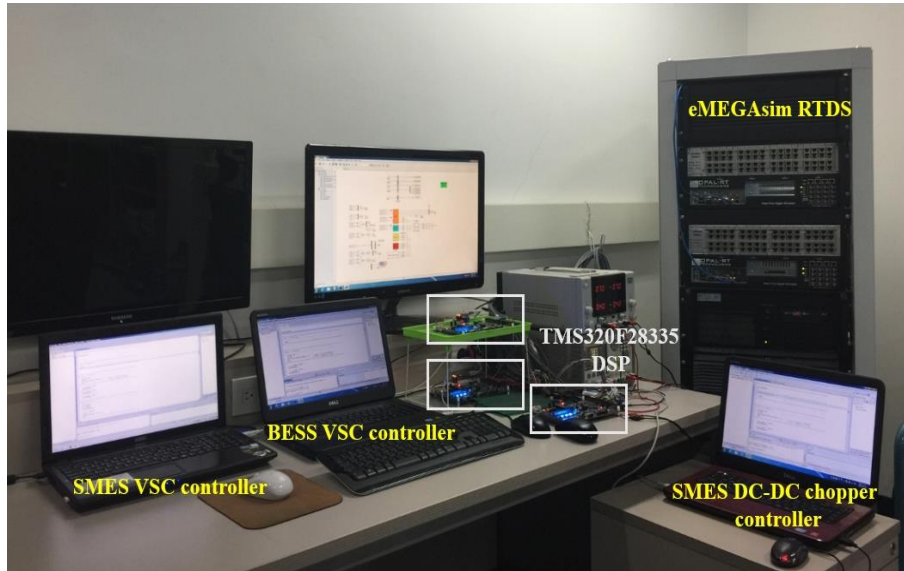
In this paper, the BESS with high energy density is in charge of controlling power flow between utility grid and the microgrid in the grid-connected mode and controlling frequency in the islanded mode.

## 4. Hardware-In-the-Loop Simulation System

Figure 8 shows the concept of the developed HILS system to test the coordinated control of BESS and SMES. Figure 9 shows the developed HILS system at the laboratory which is composed of three TMS320F28335 DSP B/Ds. Two DSP B/Ds were in charge of controller of two-quadrant DC-DC chopper and controller of VSC of the SMES and a DSP B/D was in charge of VSC of controller of the BESS. The tested microgrid and the rest parts of the SMES and BESS were modeled in eMEGAsim RTDS. The ratings of components of the microgrid are shown in Table 1. The DSP B/Ds and eMEGAsim RTDS are connected with communication links and exchange input signals for controllers and PWM signals as outputs of the controllers. In addition, the static signal (STS) is transferred from the RTDS to DSP modules to inform status of two modes, that is, the grid-connected mode and the islanded mode.



**Figure 8. Concept of Developed HILS System**



**Figure 9. HILS System Developed at the Laboratory**

**Table 1. Component Ratings**

Components	Ratings
Diesel	150 kW
Load	180 kW
Li-BESS	100 kW
SMES	200 kJ

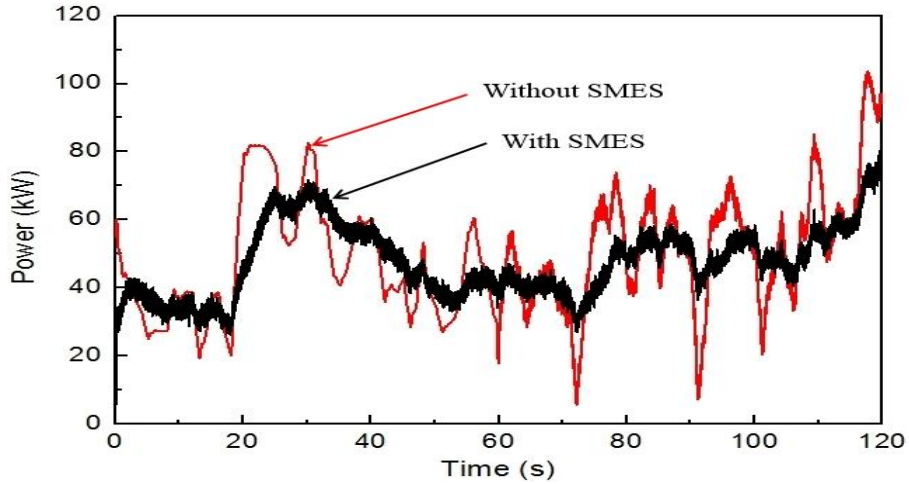
## 5. Test Results

For the performance of the controllers, the following scenario is applied;

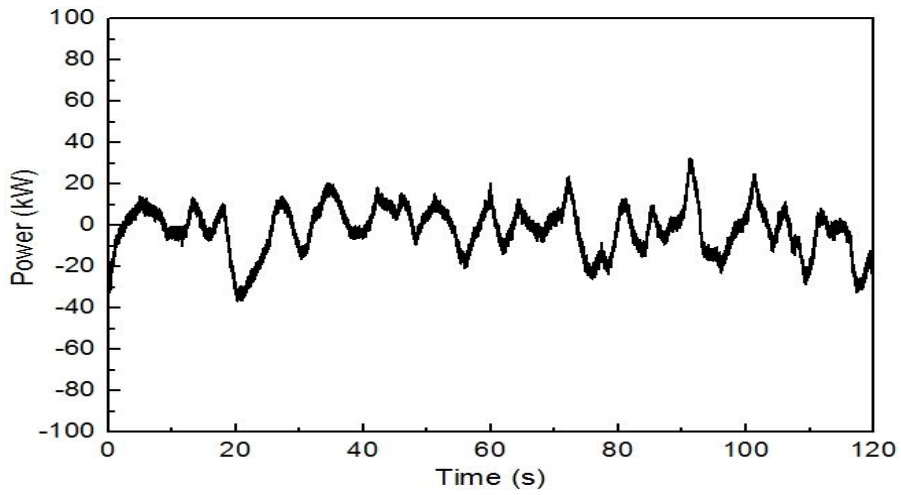
- The initial operation mode of microgrid is grid-connected mode.
- The operation mode of the microgrid is changed to islanded mode at 60 seconds by opening the STS.

Figure 10 shows the result of smoothing frequency by the SMES. The result shows the frequency was smoothed effectively by the SMES. It can be checked by comparing the frequency without the SMES. Figure 11 shows the output of the SMES for the smoothing the frequency. From the figure, frequent charging and discharging can be checked by the controllers of the SMES.

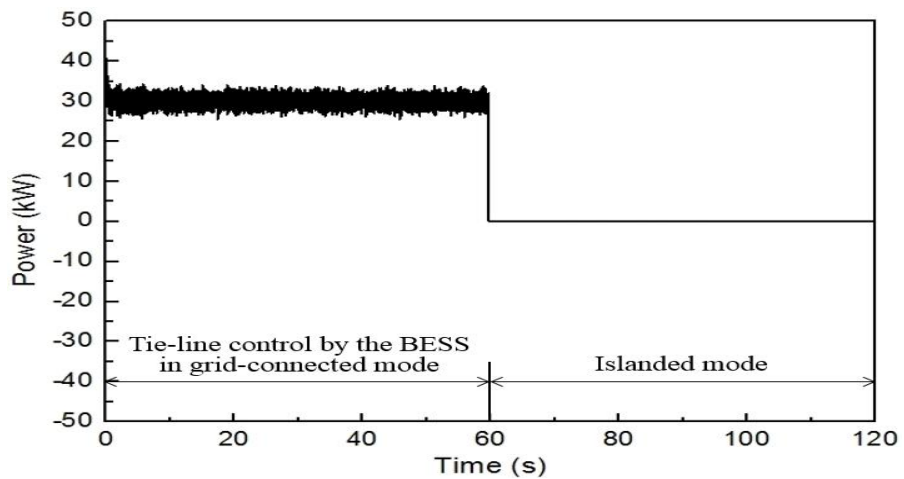
Figure 12 shows the result of power flow between the utility and the microgrid in the grid-connected mode until 60 seconds. From the result shows constant power exchange can be possible between them. In addition, during the islanded mode, there is no power flow between them because the connection is not available from 60 seconds.



**Figure 11. Smoothing Output Power Fluctuation of the Wind Generator**

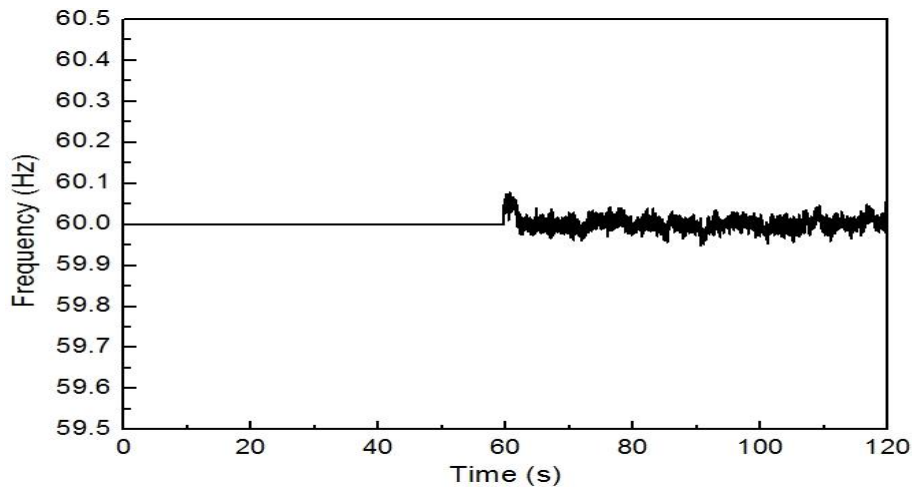


**Figure 10. Output Power of the SMES**



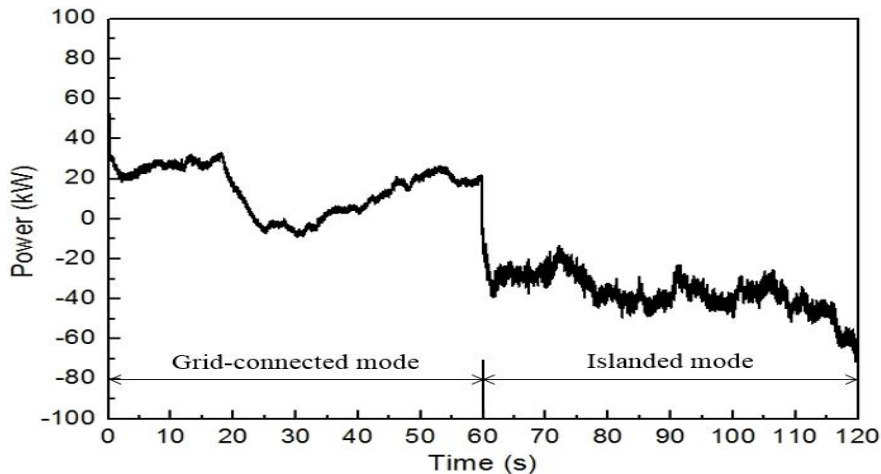
**Figure 12. Power Flow between Utility Grid and the Microgrid**

Figure 13 shows frequency of the microgrid during the islanded mode. After changing to islanded mode, the frequency was controlled well in the allowed ranges by the control of the BESS.



**Figure 13. Frequency in the Microgrid**

Figure 14 shows output power of the BESS for controlling power flow during the grid-connected and islanded modes, respectively.



**Figure 13. Output Power of the BESS**

## 6. Conclusion

In this paper, a HILS system was applied to test the performance of coordinated control of SMES and BESS under conditions similar to the real environment in the microgrid. The SMES and BESS were in charge of smoothing frequency and of controlling tie-line power flow between the utility grid and the microgrid in the grid-connected mode and frequency in the islanded mode, respectively, considering their characteristics – power density and energy density. The test results showed good performance according to design purposes.



## Acknowledgements

This research was supported by Basic Science Research Program through the National Research Foundation of Korea (NRF) funded by the Ministry of Education, Science and Technology (2012R1A1A1011306).

## References

- [1] M. Mao, Y. Liu, P. Jin, H. Huang, and L. Chang, "Energy Coordinated Control of Hybrid Battery-Supercapacitor Storage System in a Microgrid", Proceedings of 4th IEEE International Symposium on Power Electronics for Distributed Generation Systems, (2013) July 8-11, Arkansas, U.S.A.
- [2] N. D. Hatziaargyriou, H. Asano, H. R. Iravani, and C. Marnay, "Microgrids", IEEE Transactions on Power Energy, Vol. 5, (2007), pp. 78-94.
- [3] M. G. Molina, and P.E. Mercado, "Power Flow Stabilization and Control of Microgrid with Wind Generation by Superconducting Magnetic Energy Storage", IEEE Transactions on Power Electronics, vol. 26, no. 3, (2011), pp. 910-922.
- [4] Sandia National Laboratories Report, The Advanced Microgrid Integration and Interoperability, (2014).
- [5] M. Patterson, N. F. Macia, and A. M. Kannan, "Hybrid Microgrid Model Based on Solar Photovoltaic Battery Fuel Cell System for Intermittent Load Applications", IEEE Transactions on Energy Conversion, vol. 30, no. 1, (2015), pp. 359-366.
- [6] L. Meng, X. Zhao, F. Tang, M. Savaghebi, T. Dragicevic, J. C. Vasquez, and J. M. Guerrero, "Distributed Voltage Unbalance Compensation in Islanded Microgrid by Using Dynamic-Consensus-Algorithm", IEEE Transactions on Power Electronics, vol. PP, no. 99, (2015).
- [7] H. J. Yoo, and H. M. Kim, "Coordinated Frequency Control Strategy of Diesel Generator and BESS during Islanded Microgrid and Performance Testing using Hardware-in-the-Loop Simulation System", International Journal of Energy, Information and Communications, vol. 4, no. 4, (2013), pp. 55-66.
- [8] H. M. Kim, T. Kinoshita, Y. Lim, and T. H. Kim, "A Bankruptcy Problem Approach to Load-shedding in Multiagent-based Microgrid Operation", Sensors, vol. 10, no. 10, (2010), pp. 8888-8898.
- [9] J. Y. Kim, S. K. Kim, and J. H. Park, "Contribution of an Energy Storage System for Stabilizing a Microgrid during Islanded Operation", Journal of Engineering & Technology, vol. 4, no. 2, (2009), pp. 194-200.
- [10] N. Zhang, W. Gu, H. Yu, and W. Liu, "Application of Coordinated SOFC and SMES Robust Control for Stabilizing Tie-Line Power", Energies, vol. 6, no. 4, (2013), pp. 1902-1917.
- [11] Q. Jiang, and H. Wang, "Two-Time-Scale Coordination Control for a Battery Energy Storage System to Mitigate Wind Power Fluctuations", IEEE Transactions on Energy Conversion, vol. 28, no. 1, (2013), pp.52-61.
- [12] T. Ise, M. Kita, and A. Taguchi, "A Hybrid Energy Storage With a SMES and Secondary Battery", IEEE Transactions on Applied Superconductivity, vol. 15, no. 2, (2005), pp. 1915-1918.
- [13] K. Yao, S. Chen, M. Rahimabady, M. S. Mirshekarloo, S. Yu, F. E. H. Tay, T. Sritharan, and L. Lu, "Nonlinear Dielectric Thin Films for High-Power Electric Storage With Energy Density Compareable With Electrochemical Supercapacitors", IEEE Transactions on Ultrasonics, Ferroelectrics, and Frequency Control, vol. 58, no. 9, (2011), pp. 1968-1974.
- [14] K.W. Wee, S. S. Choi, and D. M. Vilathgamuwa, "Design of a Least-Cost Battery-Supercapacitor Energy Storage System for Realizing Dispatchable Wind Power", IEEE Transactions on Sustainable Energy, vol. 4, no. 3, (2013), pp. 786-796.
- [15] H. Zhou, T. Bhattacharya, D. Tran, T. S. T. Siew, and A. Khambadkone, "Composite Energy Storage System Involving Battery and Ultracapacitor With Dynamic Energy Management in Microgrid Applications", IEEE Transactions on Power Electronics, vol. 26, no. 3, (2011), pp. 923-930
- [16] Z. Nie, X. Xiao, Q. Kang, R. Aggarwal, H. Zhang, and W. Yuan, "SMES-Battery Energy Storage System for Conditioning Outputs From Direct Drive Linear Wave Energy Converters", IEEE Transactions on Applied Superconductivity, vol. 23, no. 3, (2013), 5000705.
- [17] J. H. Jeon, J. Y. Kim, H. M. Kim, S. K. Kim, C. Cho, J. M. Kim, J. B. Ahn, and K. Y. Nam, "Development of Hardware In-the-Loop Simulation System for Testing Operation and Control Functions of Microgrid", IEEE Transactions on Power Electronics, vol. 25, no. 12, (2010), pp. 2919-2929.
- [18] B. Lu, X. Wu, H. Figueroa, and A. Monti, "A Low-Cost-Real-Time Hardware-in-the-Loop Testing Approach of Power Electronics Controls", IEEE Transactions on Industrial Electronics, vol. 54, no. 2, (2007), pp. 919-931.

## Authors



**Hyeon-Kyun Ji**, He received B.S. degree in Electric Engineering from Incheon National University, Korea in 2014. Currently, he is a combined Master and Ph. D. student in the Department of Electrical Engineering, Incheon national University, Korea. His research interests include VSC control, ESS, and power conversion & control.



**Hyeong-Jun Yoo**, He received B.S. and M.S. degrees in Electrical Engineering from Incheon National University, Korea in 2012 and 2014, respectively. Currently, he is a Ph.D. student in the Department of Electrical Engineering, Incheon National University, Korea. His research interests include VSC control, MMC-HVDC, ESS, and power conversion & control.



**Hak-Man Kim**, He received his first Ph.D. degree in Electrical Engineering from Sungkyunkwan University, Korea in 1998 and received his second Ph. D. degree in Information Sciences from Tohoku University, Japan, in 2011, respectively. He worked for Korea Electrotechnology Research Institute (KERI), Korea from Oct. 1996 to Feb. 2008. Currently, he is a professor in the Department of Electrical Engineering and also serves as the Vice Dean of College of Engineering, Incheon National University. His research interests include power system analysis & modeling, HVDC, FACTS, Microgrid, and LVDC.