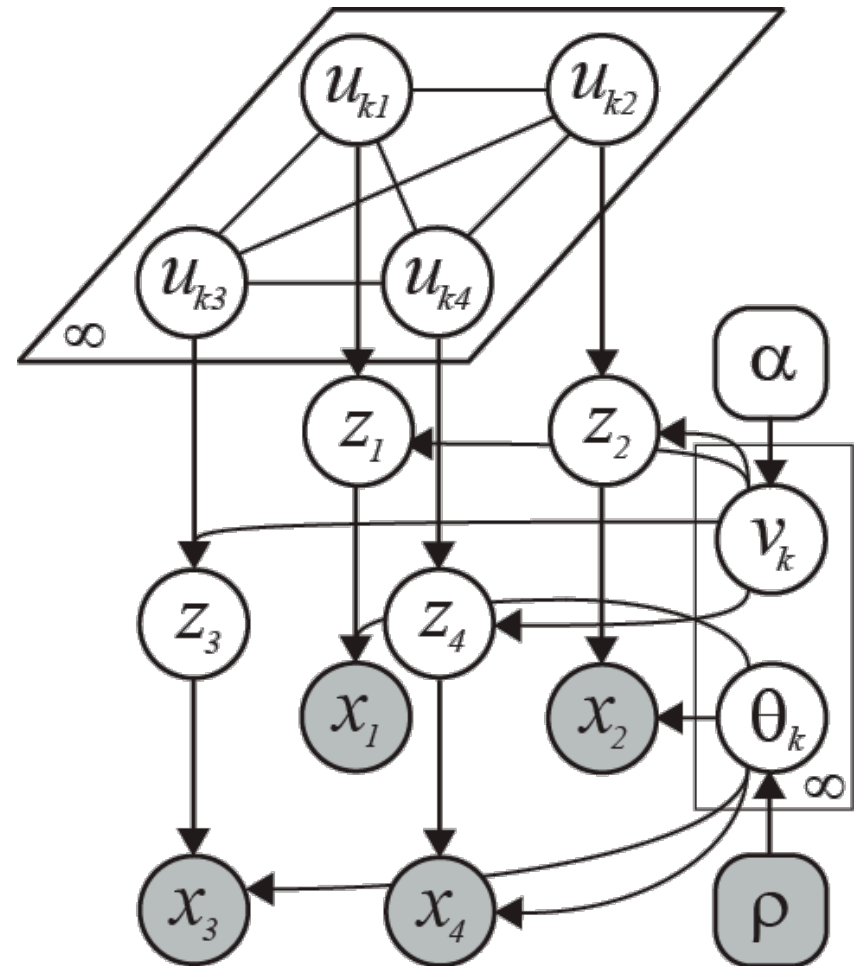


Discrete Search Moves

Stochastic proposals, accepted if and only if they improve our EP estimate of marginal likelihood:

- **Merge:** Combine a pair of regions into a single region
- **Split:** Break a single region into a pair of regions (for diversity, a few proposals)
- **Shift:** Sequentially move single superpixels to the most probable region
- **Permute:** Swap the position of two layers in the order



Marginalization of continuous variables simplifies these moves...